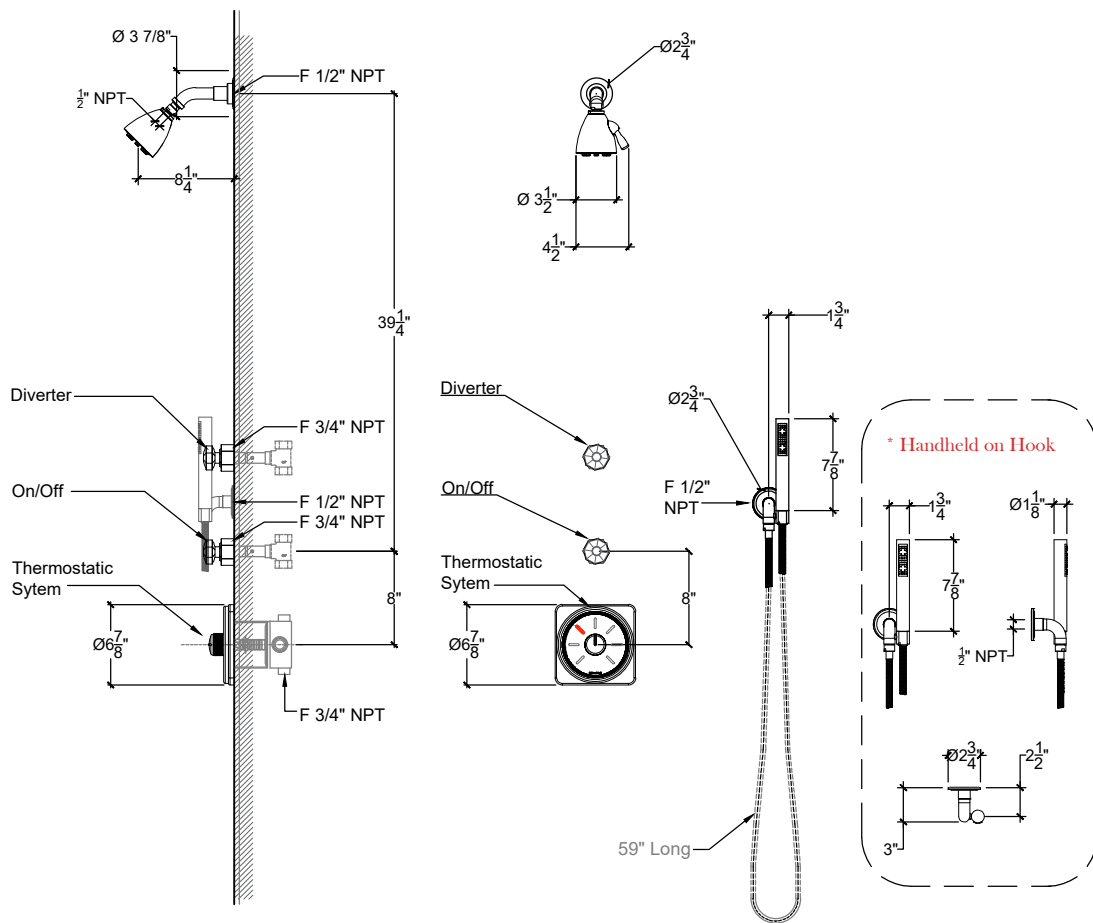




LOULOU

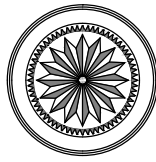
Loulou Thermostatic Internal Shower System. Hand held on Hook
Thermostatique Murale avec levier "lotus" et bras droit
Ref# 17106390 - INTERN - S



Copyright © Compas 2010 www.compassstone.com

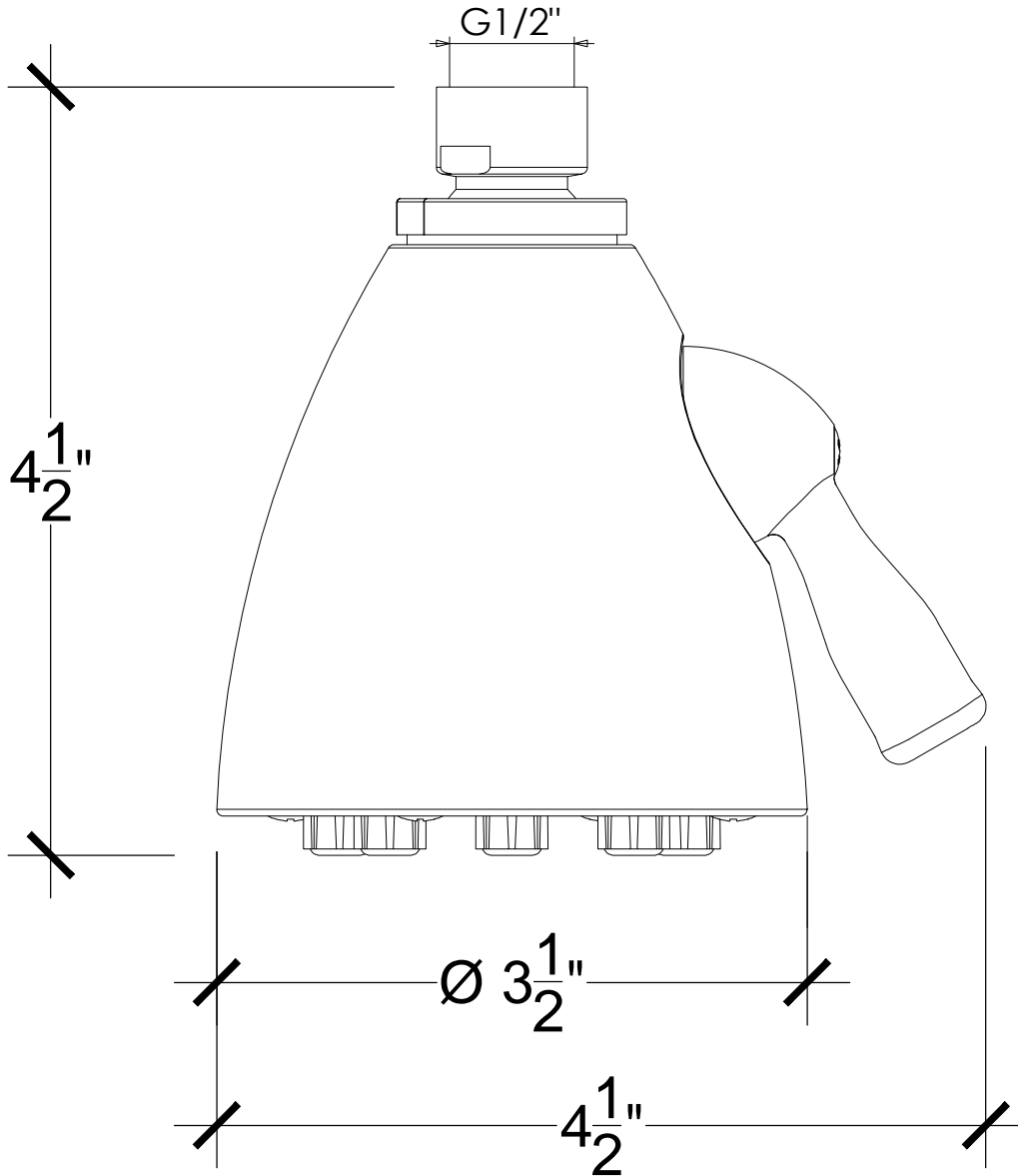
* Use with any Collection / Shower Arm & Shower Head Options Available

 COMPAS™



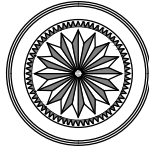
SHOWERHEAD MULTIJET

Pomme de douche multijet
Style # 17101309



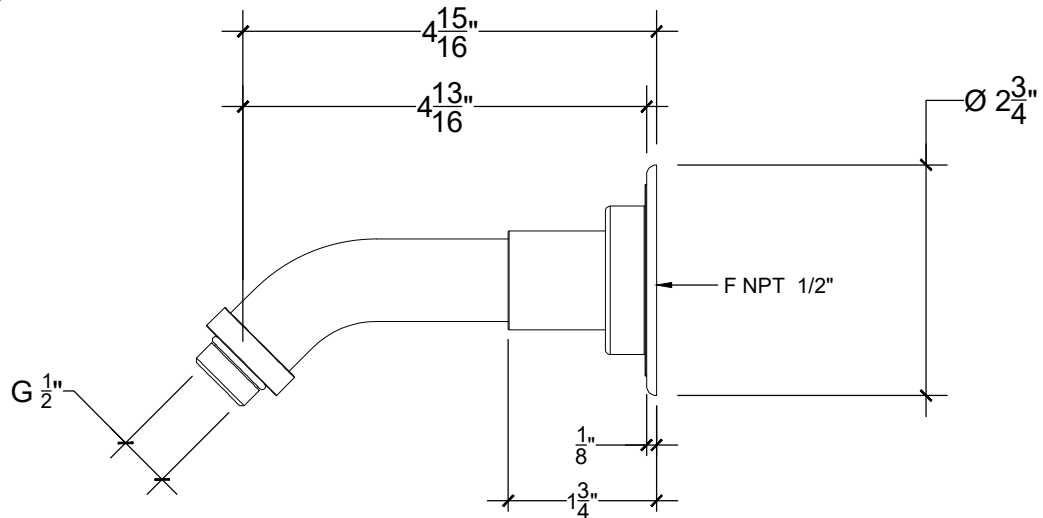
Copyright © Compass 2010 www.compassone.com

 COMPAS™

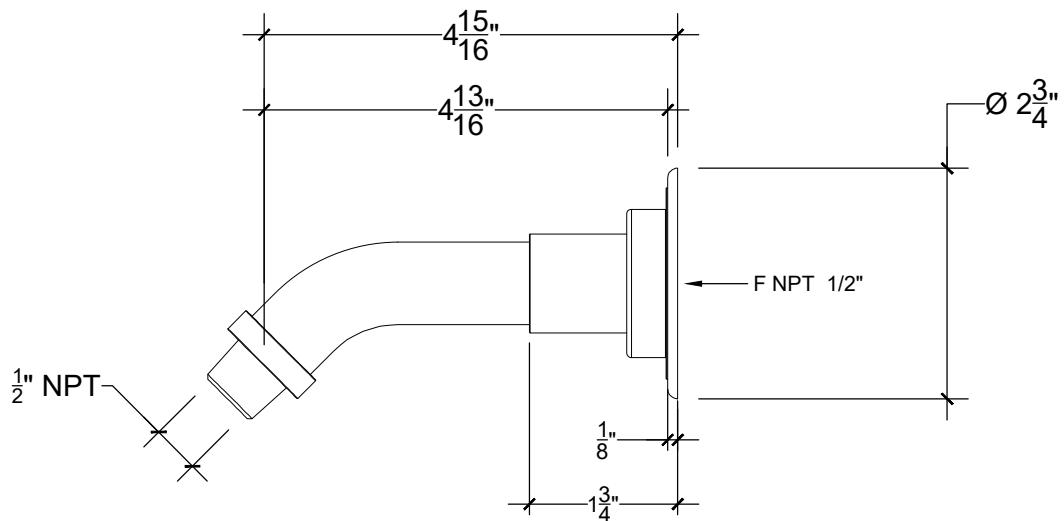


LOULOU SHOWER ARM

Bras de douche mural sportif
Style # 17106358



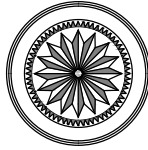
Raccord European



Raccord NPT

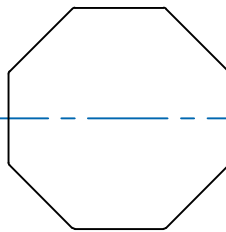
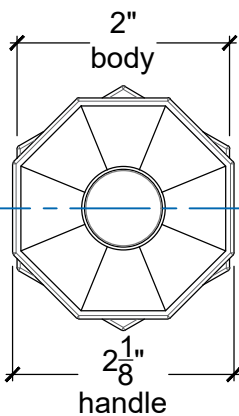
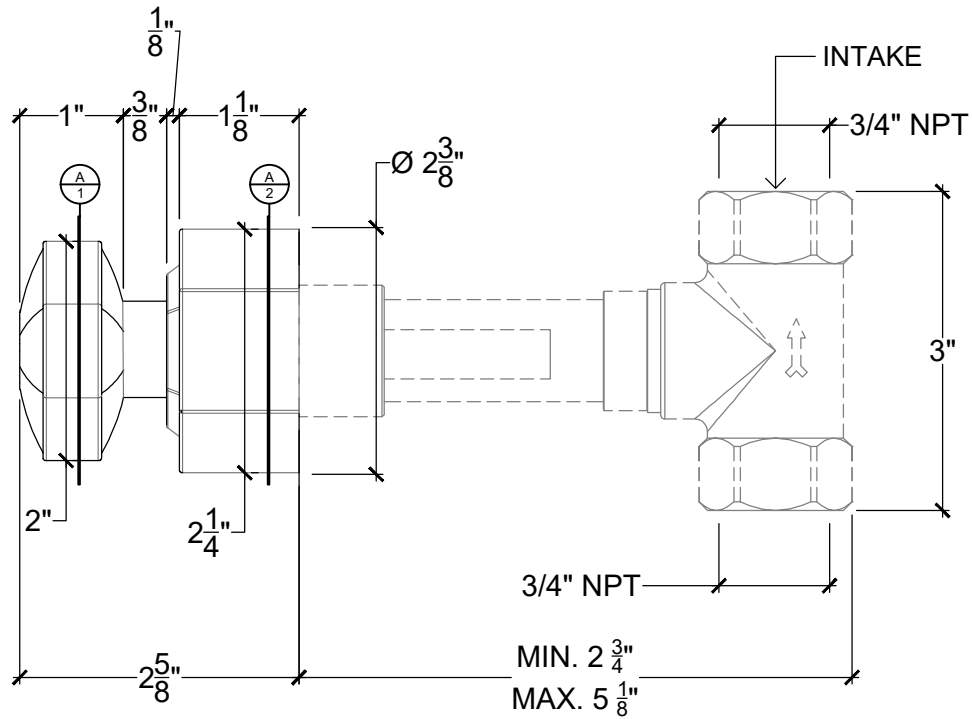
Copyright © Compas 2010 www.compassstone.com

 COMPAS™

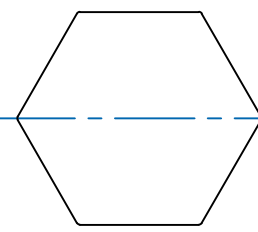


LOULOU

Wall Mounted 3/4" handle
Style # 17106735



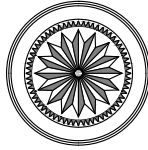
Section Handle A-1



Section Base A-2

Copyright Compass 2010 www.compassstone.com

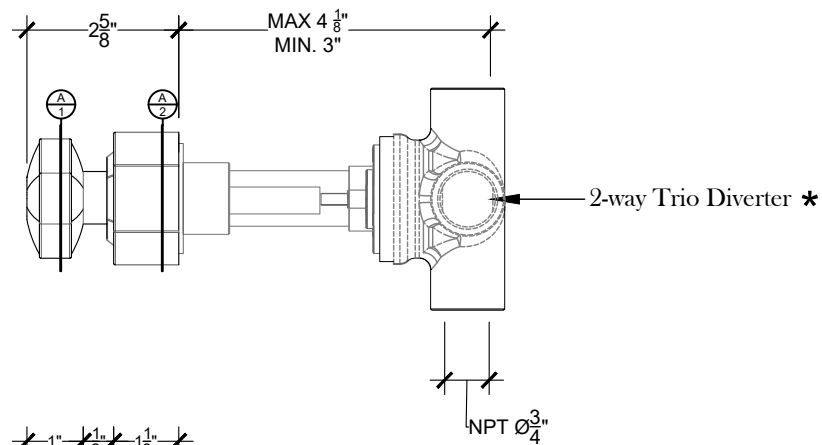




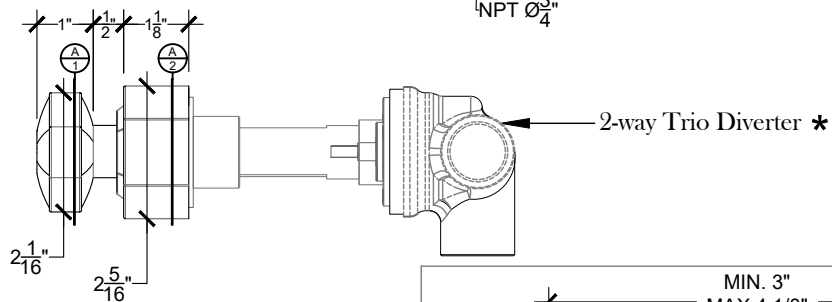
LOULOU

Wall Mounted Loulou 2-Way Diverter - 3/4" NPT
Facade D'inverseur - 3/4" NPT
Style # 17106602

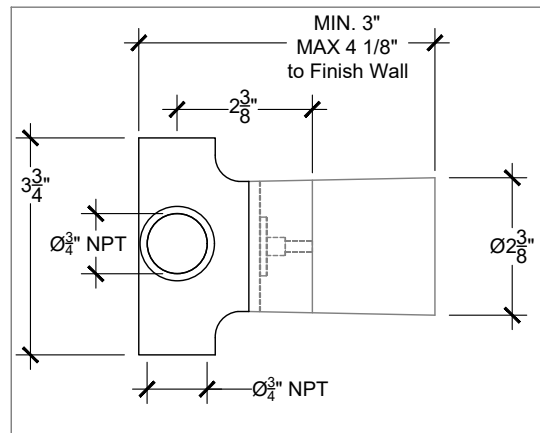
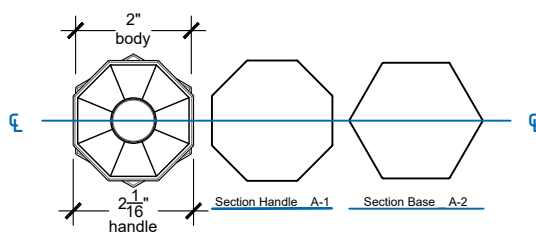
SIDE VIEW



TOP VIEW



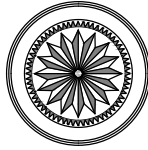
FRONT VIEW



* 2-Way Diverter: 15984181

Copyright © Compas 2010 www.compassstone.com

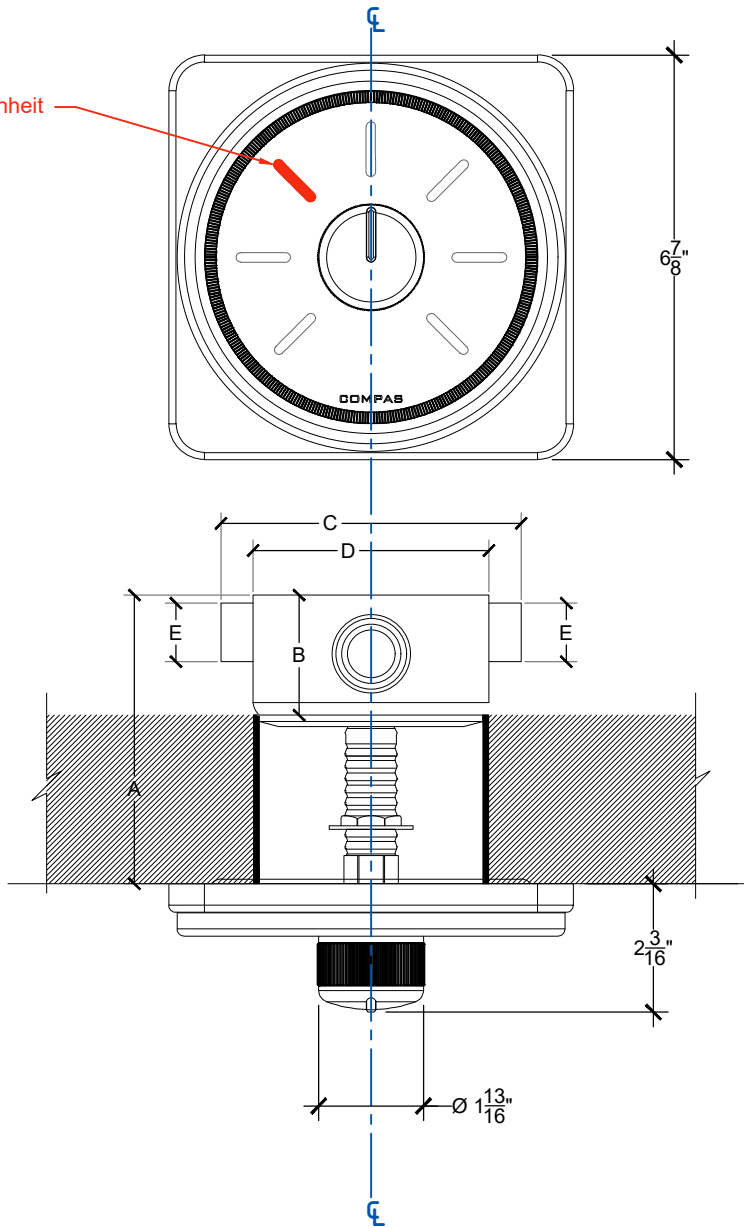
 COMPAS™



LOULOU

Internal Thermostatic Shower Trim with LouLou Handle and valve - 3/4"
 Facade Thermostatique Murale et Section du meme
 Style # 17106385

RED MARK: 37°Celsius/98° Fahrenheit



THERMO	
A min	2 1/4"
A max	4 1/2"
B	2 1/8"
C	4 3/4"
D	3 3/4"
E	3/4"
F	4 3/4"

PRESSURE

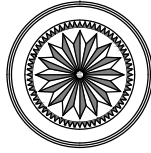
* OPERATING PSI

RECOMMENDED PSI = 58

MIN. 15 PSI / MAX 145 PSI

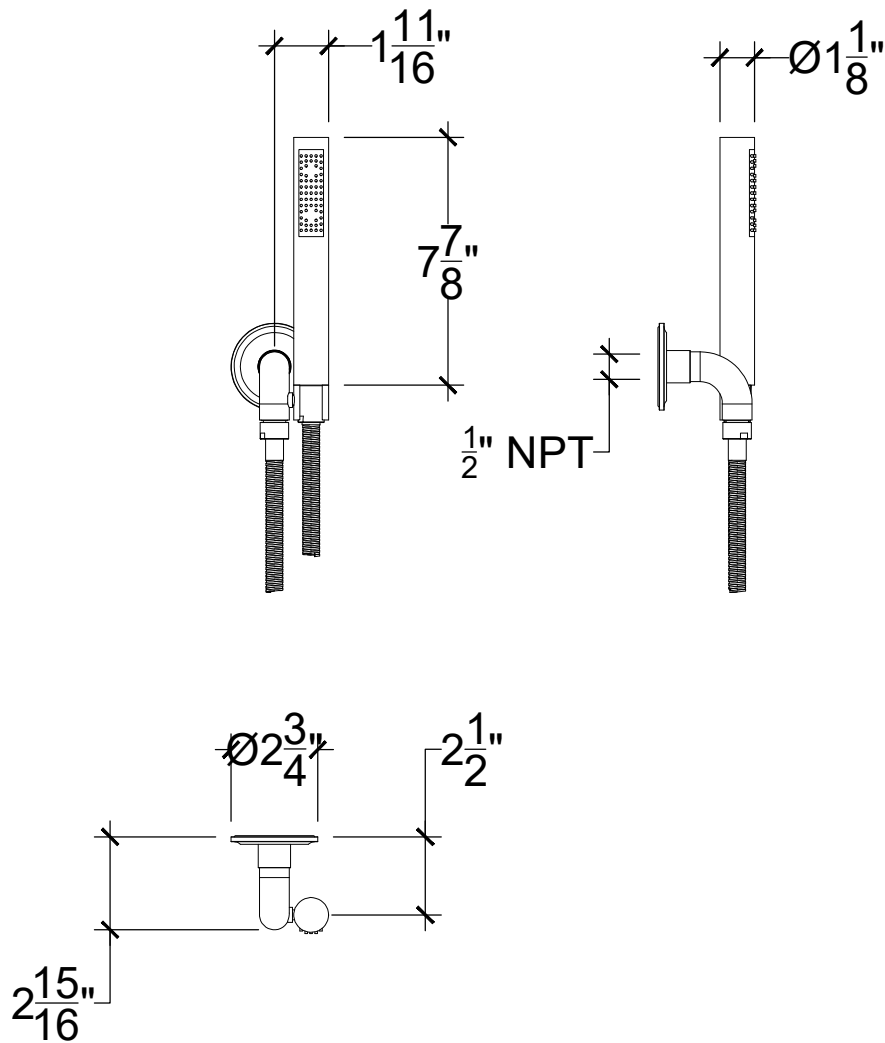
Copyright © Compas 2010 www.compasstone.com

 COMPAS™



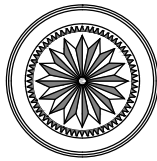
HAND HELD / PENCIL

Wall mounted Handheld on Hook - $\frac{1}{2}$ " NPT
Ensemble douchette a main sur crochet
Style # 8906333-SPHOOK



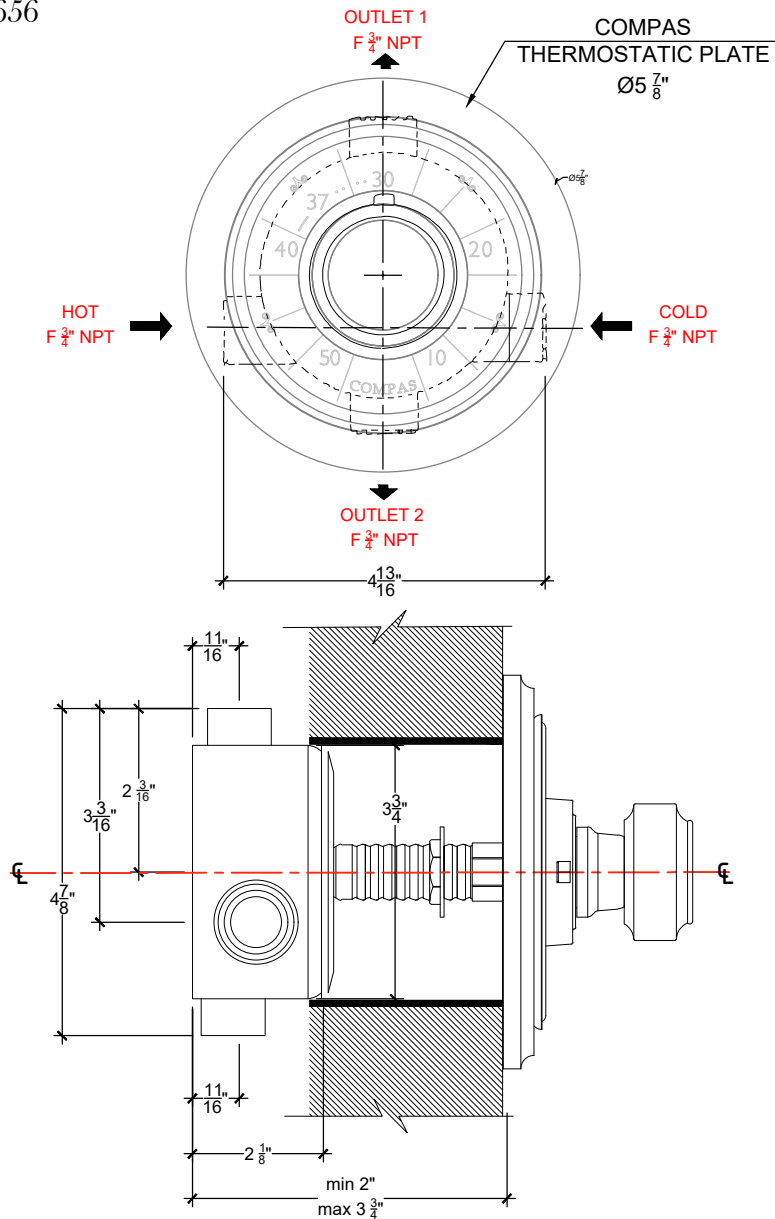
Copyright © Compass 2010 www.compassstone.com

 COMPAS™



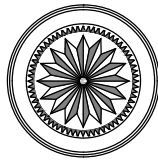
IN - WALL THERMOSTATIC SYSTEM

Standard In-wall thermostatic technical specs F $\frac{3}{4}$ " NPT
Anti - Scalding configuration system integrated
Mitigreur thermostatique a escaster - F $\frac{3}{4}$ " NPT
Weight: 3.75 lbs
Style # 0006656



Copyright © Compas 2010 www.compasstone.com



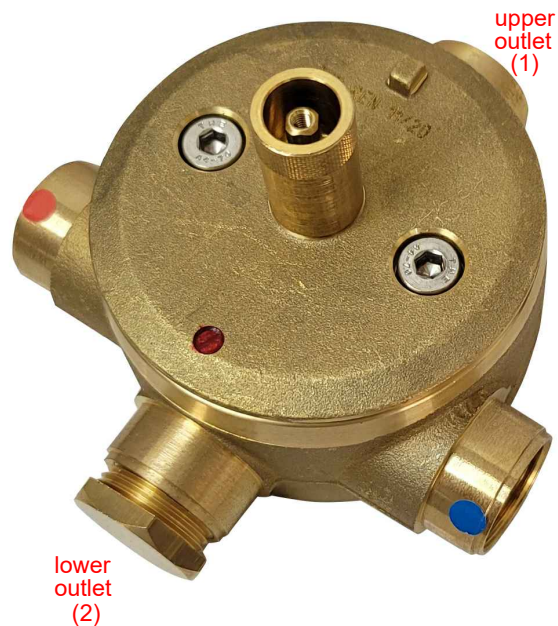


IN - WALL THERMOSTATIC SYSTEM

In-Wall Mounted European Shower Thermostatic with cartridge - F 3/4" NPT
Anti - Scalding configuration system integrated
Style # 0006656

FLOWS UNDER 3 BAR DYNAMIC

M o d e l	8280	
	upper outlet (1)	lower outlet (2)
Flow l/min	80	60
Flow l/sec	1,33	1



PRESSURE

* OPERATING PSI

RECOMMENDED PSI = 58

MIN. 15 PSI / MAX 145 PSI

DEBIT in G/min

20 G/min@ 3 BAR

Copyright © Compas 2010 www.compasstone.com

 COMPAS™