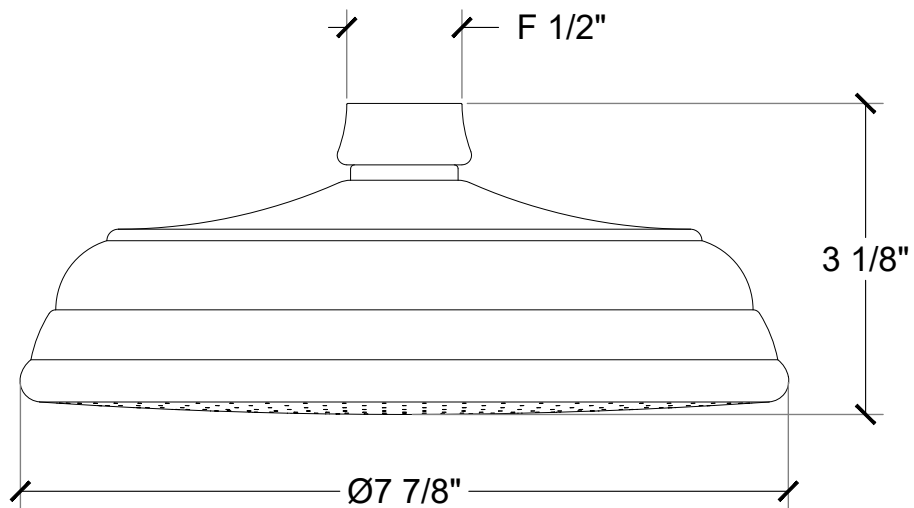


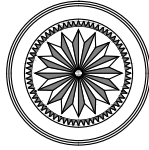
ELEGANCE

Stamped Free Flow Shaped 8" Shower Head
Pomme de Douche 8", Antillaise
Style # 6001301



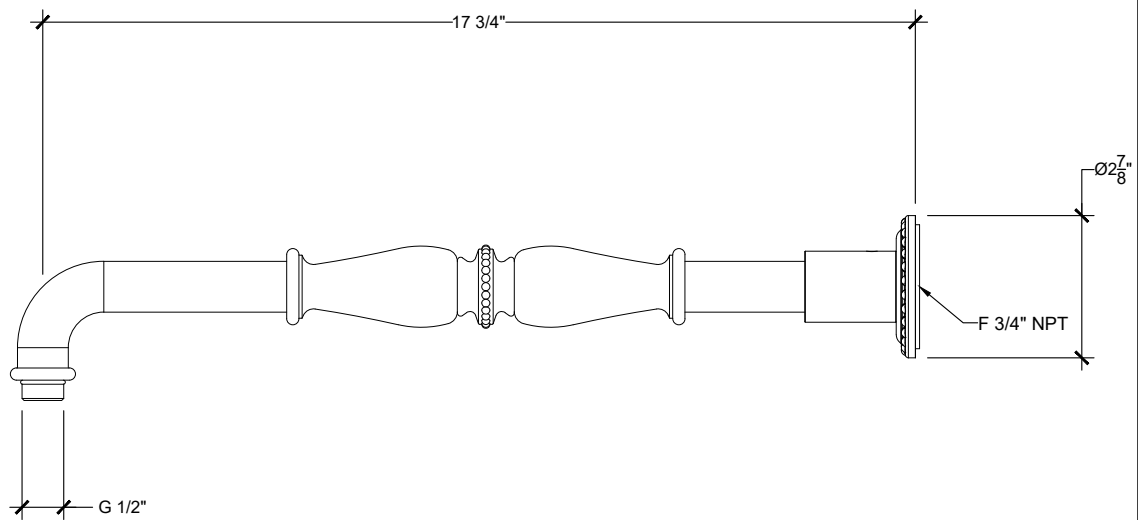
Copyright © Compas 2010 www.compasstone.com





CRUCIFORM

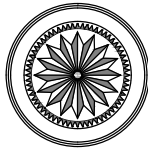
Horizontal Shower Arm
Bras de Douche Mural
Style # 8506366



Copyright © Compass 2010 www.compassstone.com

* Shower Arm Available for Cruciform, Tudor, & Segovia Handles

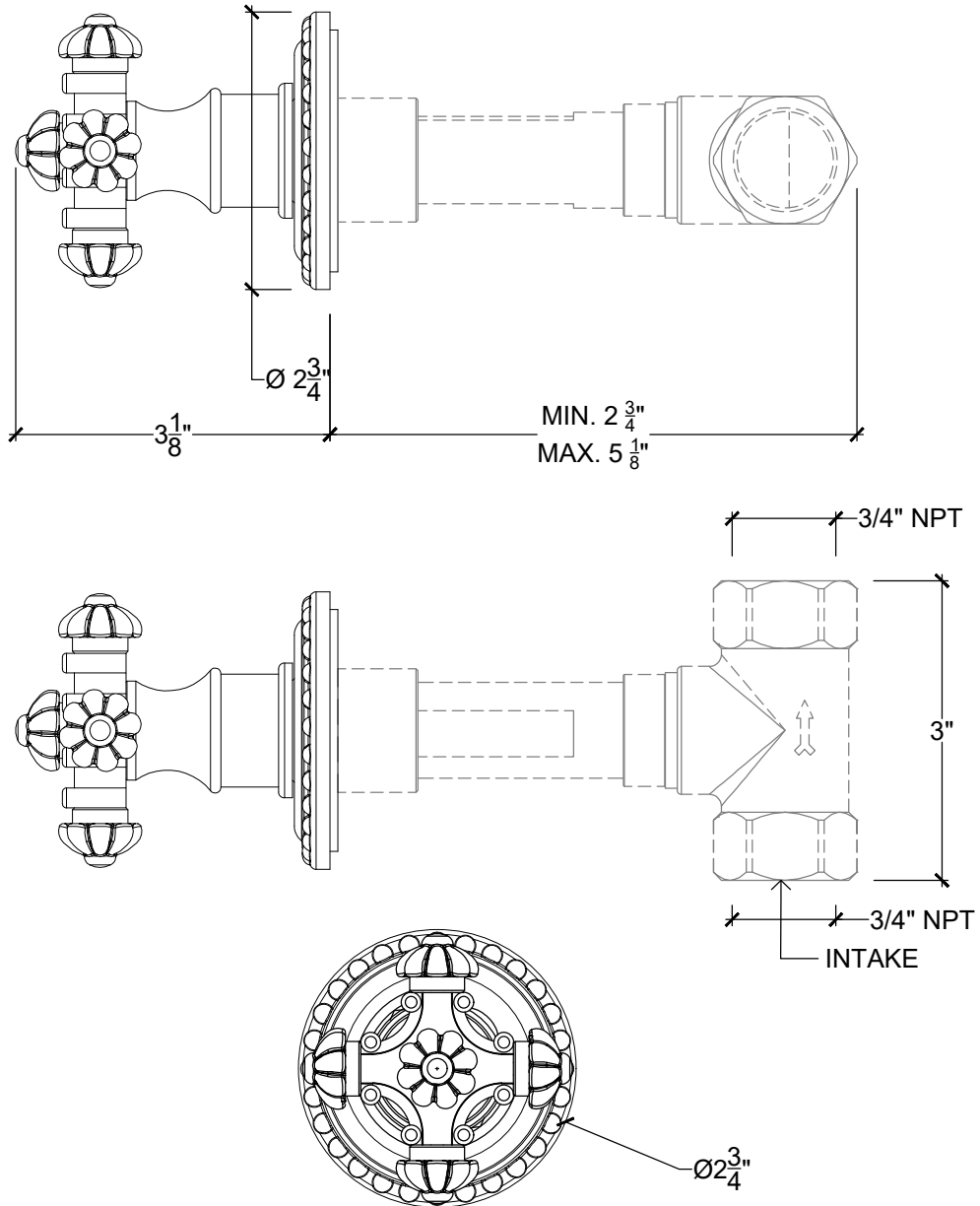




CRUCIFORM

Cruciform Wall Mount Handles for Tub / Shower_ 3/4" NPT

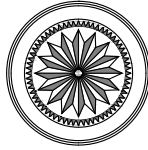
Style # 08506735



Copyright © Compass 2010 www.compassstone.com

 COMPAS™

REVISED 06-24-19

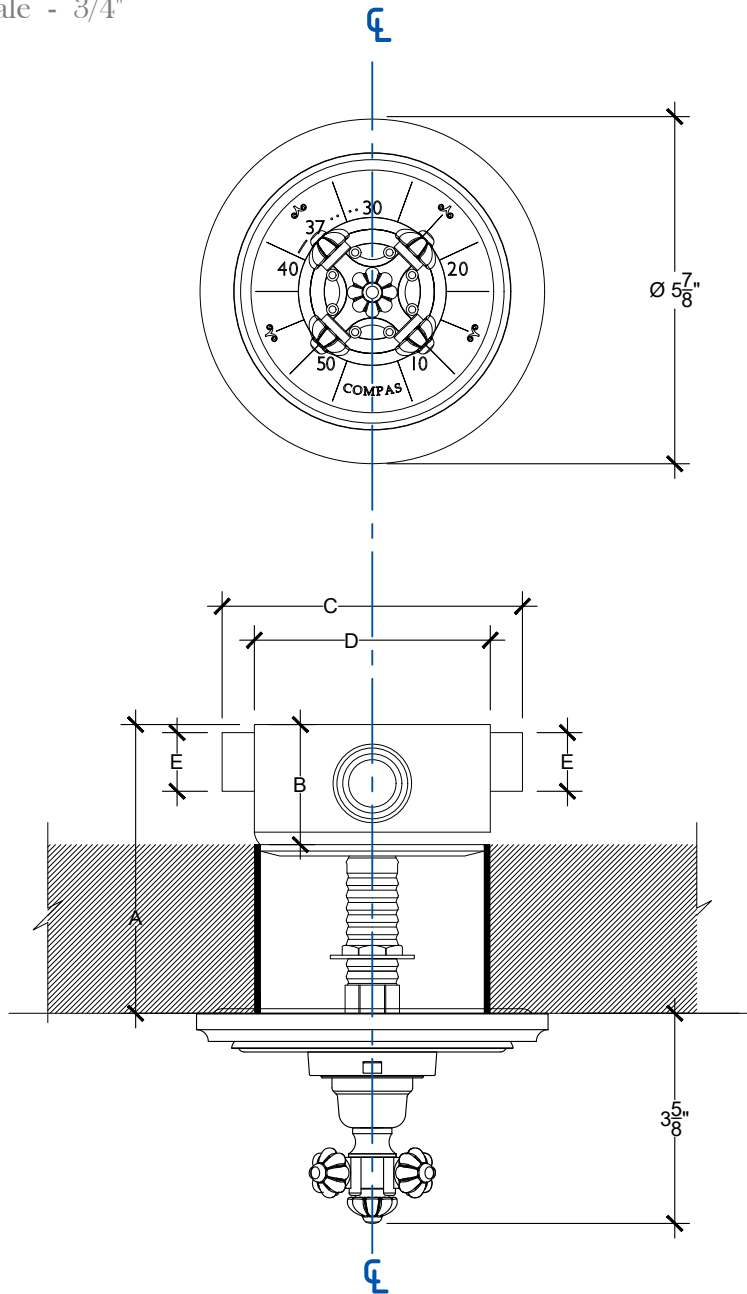


CRUCIFORM

In-Wall thermostatic valve with Cruciform Handle trim - 3/4"

Facade thermostatique murale - 3/4"

Ref# 8506385



THERMO	
A min	2 1/4"
A max	4 1/2"
B	2 1/8"
C	4 3/4"
D	3 3/4"
E	3/4"
F	4 3/4"

PRESSURE

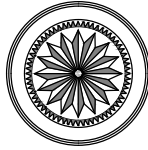
* OPERATING PSI

RECOMMENDED PSI = 58

MIN. 15 PSI / MAX 145 PSI

Copyright © Compas 2010 www.compasstone.com

 COMPAS™



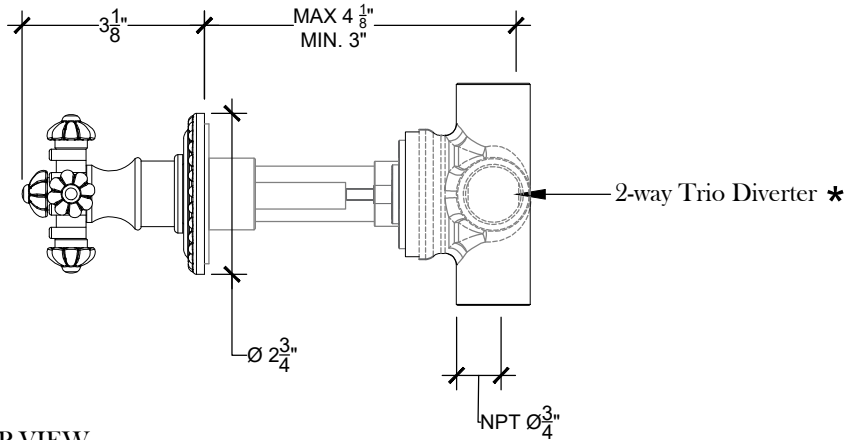
CRUCIFORM

Wall mounted Cruciform 2-Way Diverter for In-Wall Shower System - 3/4" NPT

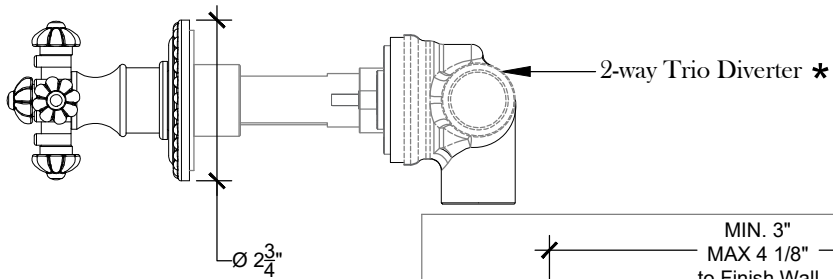
Facade D' inverseur - 3/4" NPT

Style # 08506602

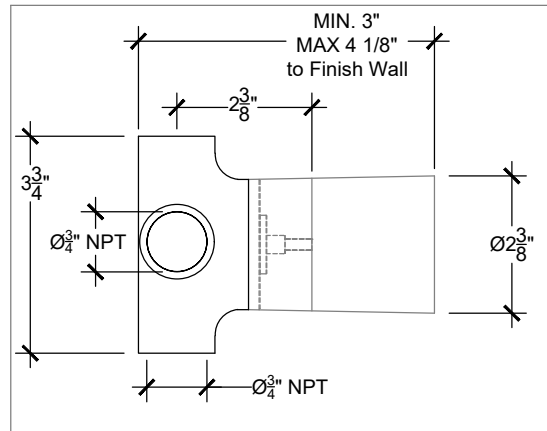
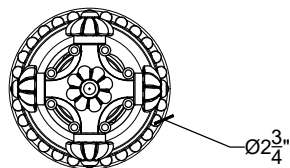
SIDE VIEW



TOP VIEW



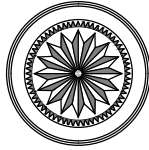
FRONT VIEW



* 2-Way Diverter: 15984181

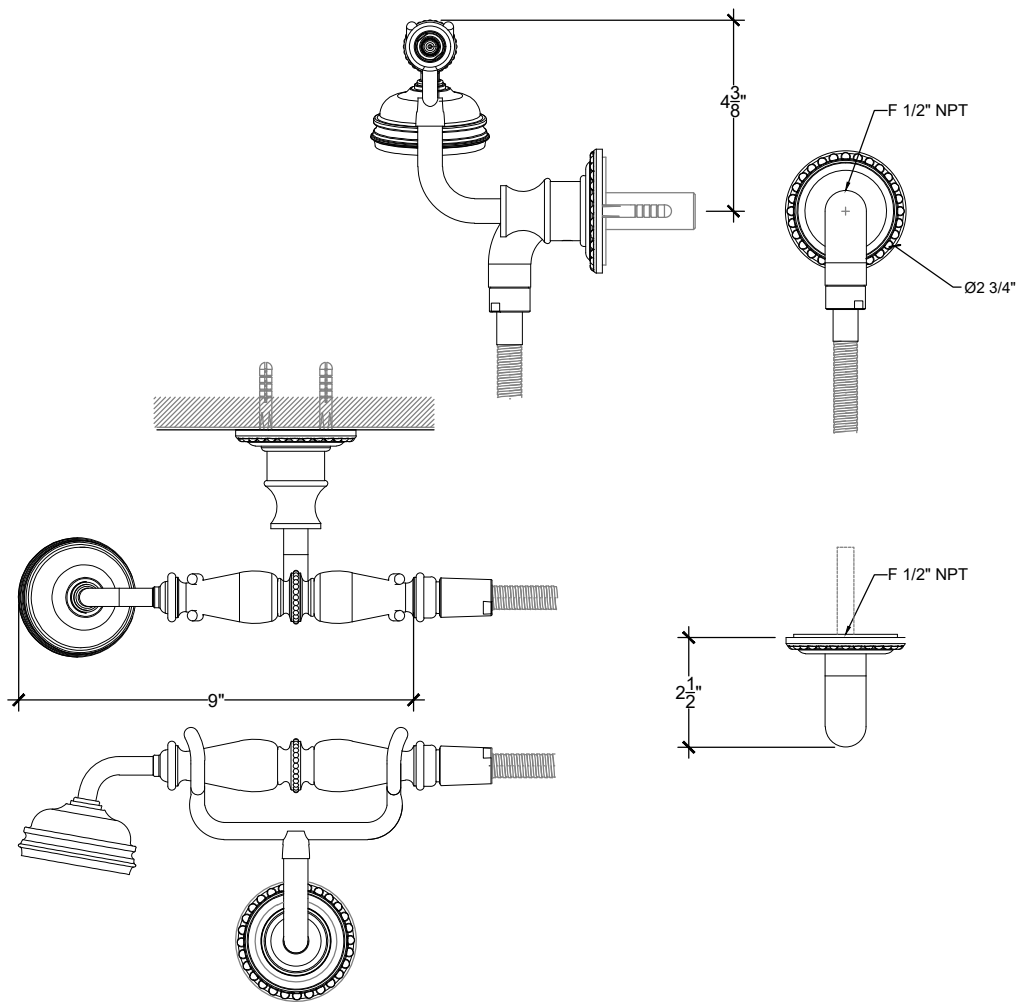
Copyright © Compas 2010 www.compassstone.com

 COMPAS™



CRUCIFORM

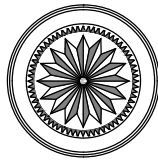
Hand Shower and Cradle Ensemble
Ensemble Douchette sur Crochet
Style # 8506333



Copyright © Compas 2010 www.compassstone.com

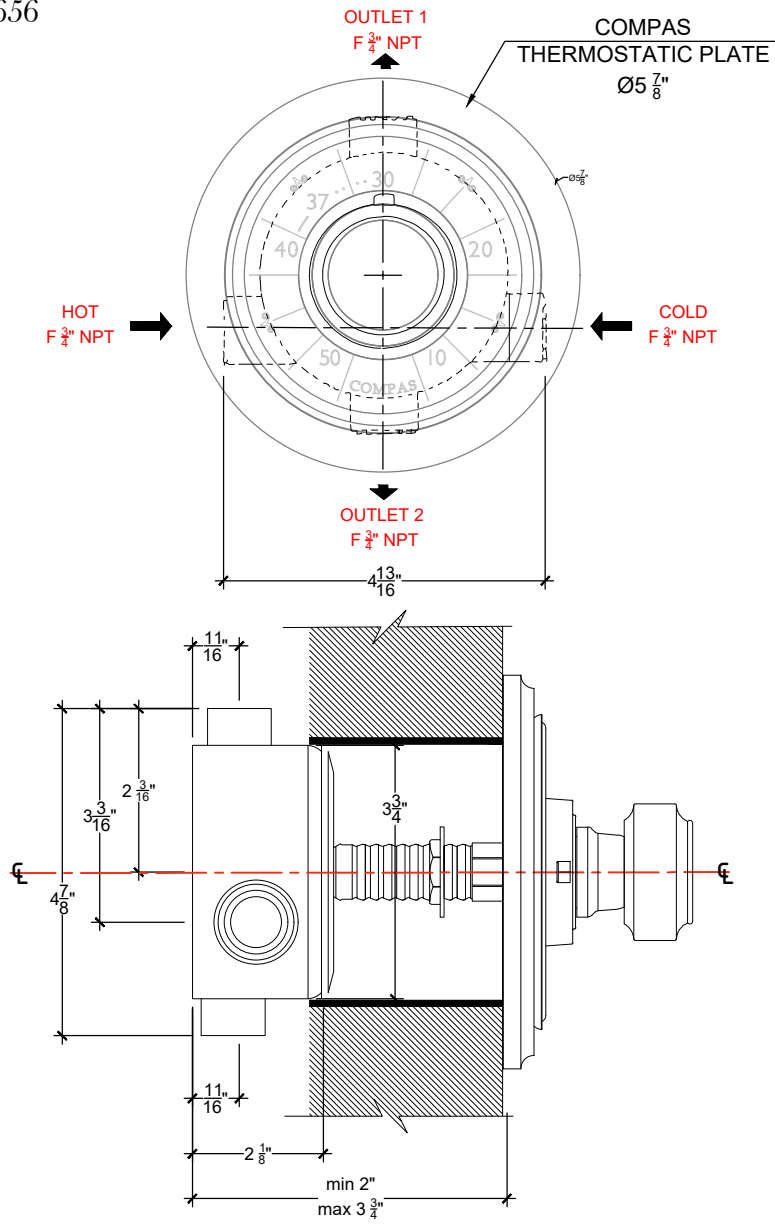
*Handheld System Available for Cruciform, Tudor, & Segovia Handles

 COMPAS™



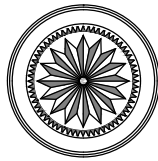
IN - WALL THERMOSTATIC SYSTEM

Standard In-wall thermostatic technical specs F $\frac{3}{4}$ " NPT
Anti - Scalding configuration system integrated
Mitigeur thermostatique a escaster - F $\frac{3}{4}$ " NPT
Weight: 3.75 lbs
Style # 0006656



Copyright © Compas 2010 www.compasstone.com



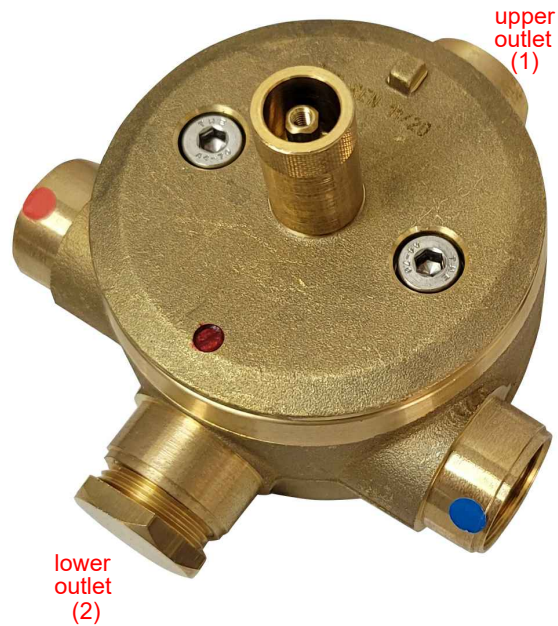


IN - WALL THERMOSTATIC SYSTEM

In-Wall Mounted European Shower Thermostatic with cartridge - F 3/4" NPT
Anti - Scalding configuration system integrated
Style # 0006656

FLOWS UNDER 3 BAR DYNAMIC

M o d e l	8280	
	upper outlet (1)	lower outlet (2)
Flow l/min	80	60
Flow l/sec	1,33	1



PRESSURE

* OPERATING PSI

RECOMMENDED PSI = 58

MIN. 15 PSI / MAX 145 PSI

DEBIT in G/min

20 G/min@ 3 BAR

Copyright © Compas 2010 www.compasstone.com

 **COMPAS™**