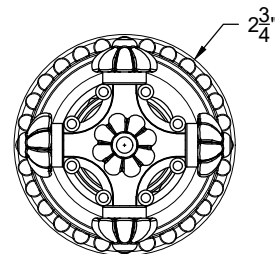
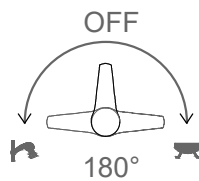
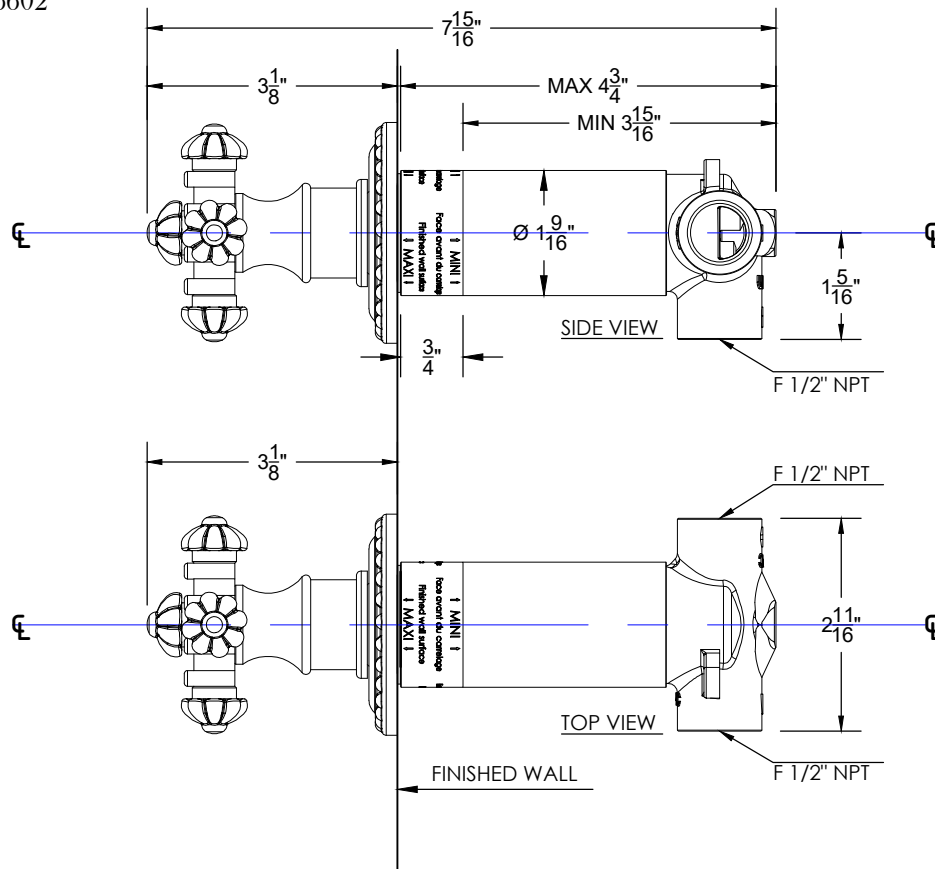


CRUCIFORM

2 WAY DIVERTER WITH STOP

Wall mounted 2-Way diverter - F 1/2" NPT
Trim and diverter included
Facade diviseur - 1/2" NPT
Ref # 08506602



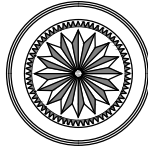
FRONT VIEW

NOTE
2 way diverter must be used in combination
with a valve that has a volume control
(ON | OFF) position.

1 way water supply
2 way out supplies to other components

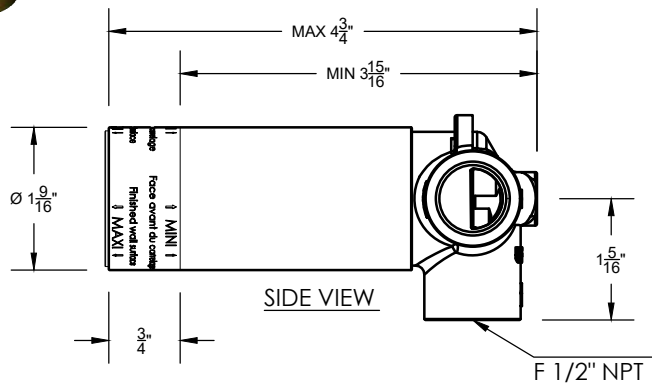
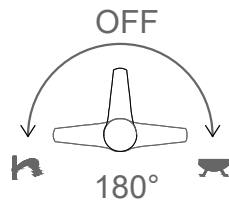
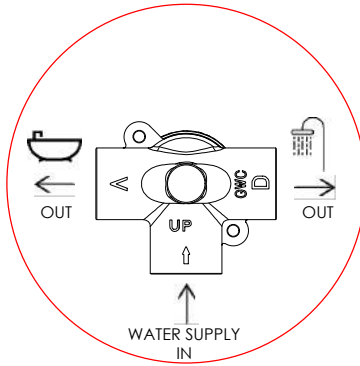
Copyright © Compass 2010 www.compassstone.com



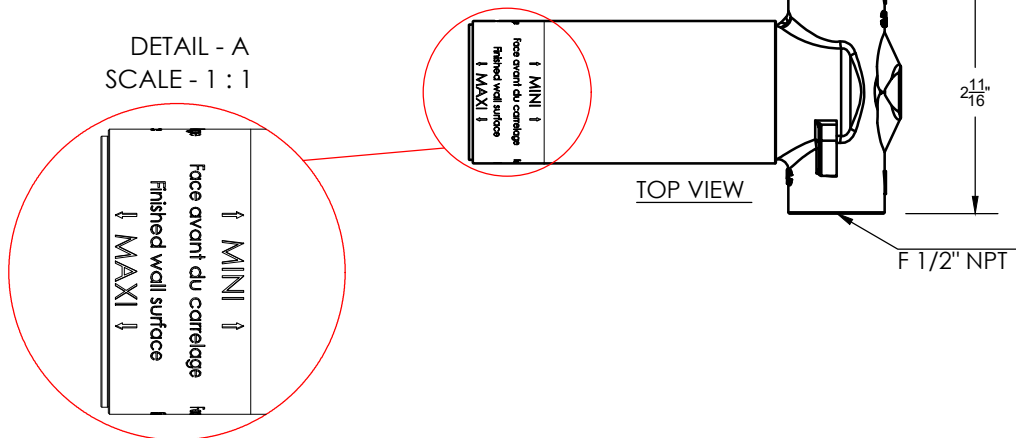


2 WAY DIVERTER

Wall mounted 2-Way Diverter - 1/2" NPT
Facade D' inverseur 2-points - 1/2" NPT
Ref # 0006642



DETAIL - A
SCALE - 1 : 1



Copyright © Compas 2010 www.compassstone.com

 COMPAS™